

## Linear Position Transmitter HLT 2102 / HLT 2103

Magnetostrictive

For partial integration

Resolution 0.04 mm

Double or triple redundancy  
Analogue

### Description:

The linear position transmitters with a multi-redundant measuring system HLT 2102 (double redundancy) and HLT 2103 (triple redundancy) were particularly designed for applications where access to the built-in measuring systems is extremely difficult, which increases the requirements for the availability and the safety of the system.

The measuring systems HLT 2102 and HLT 2103 are designed with 2 or 3 independent sensor elements which enables separate utilisation of each element or use in safety circuits, for example as a system with double or triple redundancy.

The linear position sensors are available for measuring ranges up to 2 m. The measured values are given out via an analogue output signal. External set inputs for the analogue start point and end point offer an additional possibility of a customised adjustment.

The main fields of application for the HLT 2102 and HLT 2103 are, for example, general positioning tasks in stationary hydraulics, as a partially integrated solution in hydraulic cylinders.

### Technical data:

Input data	
Measuring ranges <sup>1)</sup>	50 .. 2000 mm
Model	Rod with M18x1.5 screw-in flange acc. to ISO 6149 Operating pressure: ≤ 600 bar Peak pressure acc. to DIN EN ISO 19879: 750 bar
Tightening torque, recommended	50 Nm
Material	Rod: Stainless steel 1.4571 Housing: Stainless steel 1.4301
Output data	
Output signal, permitted load resistance	4 .. 20 mA or 0 .. 20 mA, load resist.: 200 .. 500 Ω
Resolution	16 bit; 0.04 mm
Non-linearity	± 0.10 mm (measuring range ≤ 1500 mm) ± 0.15 mm (measuring range > 1500 mm)
Hysteresis	± 0.02 mm (measuring range ≤ 1500 mm) ± 0.1 mm (measuring range > 1500 mm)
Repeatability	0.04 mm
Temperature coefficient	≤ ± 0.004 % FS / °C
Sampling rate	Depending on length: 1.5 ms (measuring range ≤ 500 mm) 3.0 ms (measuring range 500 .. 2000 mm) 4.5 ms (measuring range > 2000 mm)
Environmental conditions	
Operating temperature range	0 .. +70 °C, optionally -20 .. +70 °C
Storage temperature range	-30 .. +85 °C
CE mark	EN 61000-6-1 / 2 / 3 / 4
Vibration resistance acc. to DIN EN 60068-2-6 at 50 .. 2000 Hz	≤ 10 g
Shock resistance acc. to DIN EN 60068-2-27 (11 ms)	≤ 100 g
Protection class acc. to DIN EN 60529 <sup>2)</sup>	IP 65
Installation position	No restrictions
Other data	
Supply voltage	24 V DC ± 10 %
Residual ripple of supply voltage	≤ 250 mV <sub>pp</sub>
Current consumption without output	≤ 100 mA per channel
Weight	Depending on length: 50 mm: ~ 800 g 2000 mm: ~ 1400 g

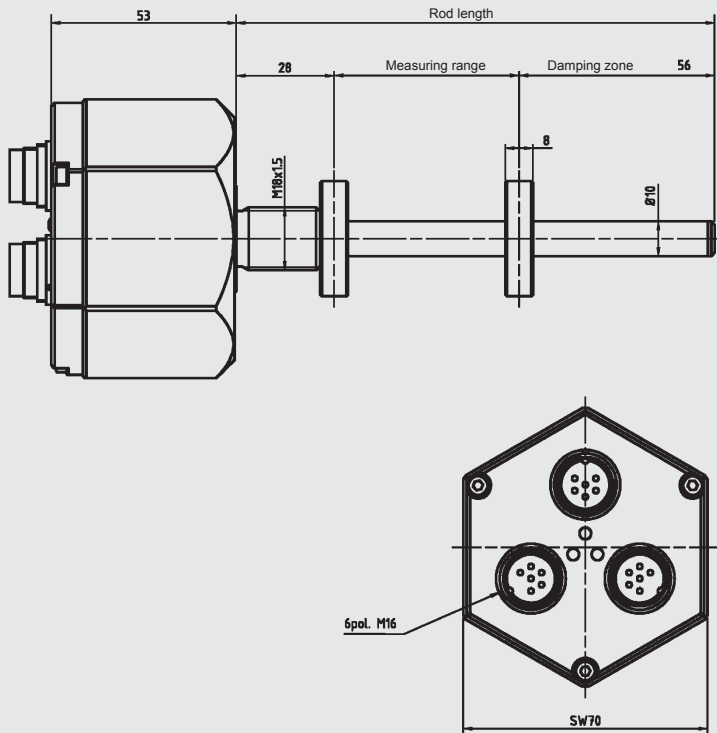
Note: Reverse polarity protection of the supply voltage, overvoltage and short circuit protection are provided.

**FS (Full Scale)** = relative to complete measuring range

<sup>1)</sup> Other measuring lengths on request.

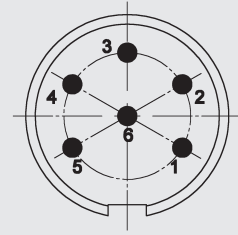
<sup>2)</sup> With mounted mating connector in corresponding protection class

## Dimensions:



## Pin connections:

M16x1, 6 pole



Pin	(each connector)
1	Signal
2	0 V (analogue output)
3	Set input start point
4	Set input end point
5	+U <sub>B</sub>
6	0 V

## Model code:

**HLT 2 1 0 X - R1 - M06 - XXX - XXXX - 000**

### Design / geometry type

1 = rod

### Output variants

2 = double redundancy  
3 = triple redundancy

### Model

R1 = rod with M18x1.5 screw-in flange

### Electrical connection

M06 = male M16, 6 pole

### Output signal

C01 = analogue 4 .. 20 mA, 3-conductor  
E01 = analogue 0 .. 20 mA, 3-conductor

### Measuring range in mm (50 .. 2000 mm in steps of 50 mm)

Example  
0150 = 150 mm

### Modification

000 = standard

### Accessories available: (not supplied with instrument)

ZBL MR33	position magnet	part no.: 6084207
ZBL MR22	position magnet	part no.: 6084453
ZBL MR17.4	position magnet	part no.: 6119372

More detailed information on accessories as well as on further accessories, such as intermediate rings and mating connectors, can be found in the Accessories brochure.

## Note:

The information in this brochure relates to the operating conditions and applications described.

For applications or operating conditions not described, please contact the relevant technical department.

Subject to technical modifications.

### HYDAC ELECTRONIC GMBH

Hauptstraße 27, 66128 Saarbrücken  
Germany  
Telephone +49 (0)6897 509-01  
Fax +49 (0)6897 509-1726  
E-mail: [electronic@hydac.com](mailto:electronic@hydac.com)  
Internet: [www.hydac.com](http://www.hydac.com)