

Technical details

Input data													
Measurement ranges	bar	2,5	4	6	10	16	25	40	60	100	250	400	600
Overload pressures	bar	6	8	12	20	32	50	80	120	200	500	800	1000
Burst pressure	bar	100	100	100	100	125	125	200	300	500	1250	2000	2000
Mechanical connection ¹⁾	Various threads, e.g.: G 1/4 A ISO 1179-2, external M 14 x 1,5 SAE 6, 9/16-18 UNF 2A												
Tightening torque, recommended	20 Nm												
Parts in contact with fluid ¹⁾	Mech. connection: stainless steel Seal: FKM												
Output data													
Output signal	Various signals e.g.: 4 .. 20 mA, 0 .. 5 V, 1 .. 6 V, 0 .. 10 V, ratiometric: 0.5 .. 4.5 V with U _B =5 V DC												
Accuracy acc. to DIN 16086, terminal based	≤ ± 0.5 % FS typ. ≤ ± 1.0 % FS max.												
Accuracy at minimum value setting (B.F.S.L)	≤ ± 0.25 % FS typ. ≤ ± 0.5 % FS max.												
Temperature compensation, Zero point	≤ ± 0.015 % FS / °C typ. ≤ ± 0.025 % FS / °C max.												
Temperature compensation, Span	≤ ± 0.015 % FS / °C typ. ≤ ± 0.025 % FS / °C max.												
Non-linearity acc. to DIN 16086, terminal based	≤ ± 0.3% FS max.												
Hysteresis	≤ ± 0.4% FS max.												
Repeatability	≤ ± 0.1 % FS												
Rise time	≤ 1 ms												
Long-term drift	≤ ± 0.3 % FS typ. / year												
Environmental conditions													
Compensated temperature range	-25 .. +85 °C												
Operating temperature range ²⁾	-40 .. +100 °C / -25 .. +100 °C												
Storage temperature range	-40 .. +100 °C												
Fluid temperature range ²⁾	-40 .. +125 °C / -25 .. +125 °C												
CE mark	EN 61000-6-1 / -2 / -3 / -4												
E ⁺ mark	E13*10R05/01*14856*00 E13*10R05/01*14853*00 (ratiometric)												
ULus mark ³⁾	Certificate no. E332387												
Vibration resistance acc. to DIN EN 60068-2-6 at 10 .. 500 Hz	≤ 25g												
Shock resistance acc. to DIN EN 60068-2-27	100 g / 6 ms / half sine 500 g / 1 ms / half sine												
Protection type acc. to DIN EN 60529 ⁴⁾	IP 67, IP 69, IP 6K9K (depending on electr. connection) ¹⁾												
Other data													
Supply voltage	8 .. 36 V DC 3 lines 8(12) .. 36 V DC 3 lines - limited energy – according to 9.3 UL 61010 Class 2; UL 1310/1585; LPS UL 60950												
Residual ripple of supply voltage	≤ 5 %												
Current consumption	≤ 25 mA												
Life expectancy	> 10 million load cycles (0 .. 100 % FS)												
Weight	~ 45 g												

Note: Reverse polarity protection of the supply voltage, overvoltage, overcurrent and short circuit protection are provided.

FS (Full Scale) = relative to complete measuring range

¹⁾ Others on request

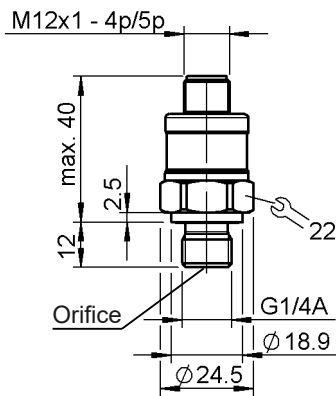
²⁾ In the standard up to -25°C with FKM seal, -40 °C on request

³⁾ Environmental conditions according to 1.4.2 UL 61010-1; C22.2 no. 61010-1

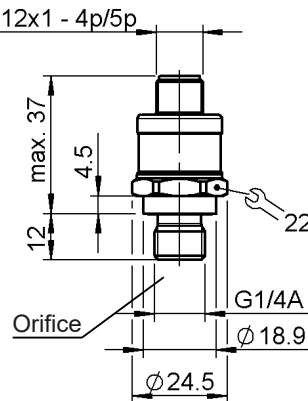
⁴⁾ With mounted mating connector in corresponding protection type

Dimensions

For pressure ≤ 16 bar:

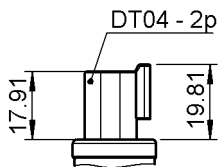


For pressure > 16 bar:

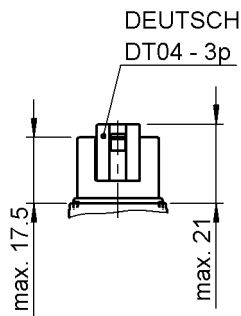


Electrical Connection Variants, e.g.

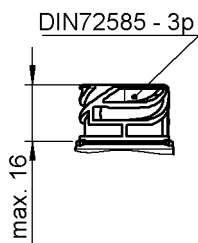
Device connector, Deutsch DT04 - 2 pole



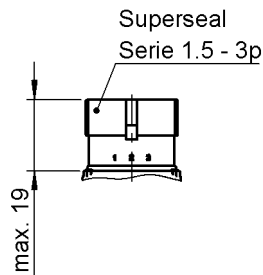
Device connector, Deutsch DT04 - 3 pole



Device connector, DIN72585 - 3 pole



Device connector, Superseal - 3 pole



Order details OEM

Pressure transmitter HPT 1000 has been specially developed for OEM customers and is available for minimum order quantities of 500 pcs. per type.

For detailed specification, please do not hesitate to contact our HYDAC ELECTRONIC Sales department.

Note

The information in this brochure relates to the operating conditions and applications described.

For applications or operating conditions not described, please contact the relevant technical department.

Subject to technical modifications.

HYDAC ELECTRONIC GMBH

Hauptstraße 27

66128 Saarbrücken/Germany

Telephone +49 (0)6897 509-01

Fax +49 (0)6897 509-1726

E-mail: electronic@hydac.com

Internet: www.hydac.com

