



Pressure Transmitter HDA 7446

Relative pressure

Accuracy 0.5 %



Description:

The pressure transmitter series HDA 7400 combines excellent technical data with highly compact design.

The HDA 7446 was specifically developed for OEM applications, especially for use in confined cavities. A sensor cell with a thin-film strain gauge on a stainless steel membrane is the basis for a robust, long-life pressure transmitter.

Various pressure ranges between 0 .. 40 bar and 0 .. 1000 bar provide versatility when adapting to particular applications.

For integration into controls (e.g. with PLC), the analogue output signals 4 .. 20 mA or 0 .. 10 V are available on the standard version.

Other measuring ranges and output signals can be provided on request.

Technical data:

Input data

Measuring ranges	bar	40	60	100	250	400	600	1000
Overload pressures	bar	80	120	200	500	800	1000	1600
Burst pressure	bar	200	300	500	1000	2000	2000	3000

Mechanical connection G1/4 A ISO 1179-2

Tightening torque, recommended 20 Nm

Parts in contact with fluid Mech. connection: Stainless steel
Seal: FKM

Output data

Output signal, permitted load resistance	4 .. 20 mA, 2-conductor $R_{Lmax} = (U_B - 8 V) / 20 \text{ mA}$ [k Ω] 0 .. 10 V, 3-conductor $R_{Lmin} = 2 \text{ k}\Omega$
Accuracy acc. to DIN 16086, terminal based	$\leq \pm 0.5 \%$ FS typ. $\leq \pm 1 \%$ FS max.
Accuracy, B.F.S.L.	$\leq \pm 0.25 \%$ FS typ. $\leq \pm 0.5 \%$ FS max.
Temperature compensation	$\leq \pm 0.015 \%$ FS / °C typ.
Zero point	$\leq \pm 0.025 \%$ FS / °C max.
Temperature compensation	$\leq \pm 0.015 \%$ FS / °C typ.
Span	$\leq \pm 0.025 \%$ FS / °C max.
Non-linearity acc. to DIN 16086, terminal based	$\leq \pm 0.3 \%$ FS max.
Hysteresis	$\leq \pm 0.4 \%$ FS max.
Repeatability	$\leq \pm 0.1 \%$ FS
Rise time	$\leq 2 \text{ ms}$
Long-term drift	$\leq \pm 0.3 \%$ FS typ. / year

Environmental conditions

Compensated temperature range	-25 .. +85 °C
Operating temperature range ¹⁾	-40 .. +85 °C / -25 .. +85 °C
Storage temperature range	-40 .. +100 °C
Medium temperature range ¹⁾	-40 .. +100 °C / -25 .. +100 °C
CE mark	EN 61000-6-1 / 2 / 3 / 4
UL US mark ²⁾	Certificate no.: E318391
Vibration resistance acc. to DIN EN 60068-2-6 at 10 .. 500 Hz	$\leq 20 \text{ g}$
Shock resistance acc. to DIN EN 60068-2-27	$\leq 100 \text{ g} / 6 \text{ ms}$
Protection class acc. to DIN EN 60529 ³⁾	IP 67

Other data

Supply voltage	8 .. 30 V DC 2-conductor 12 .. 30 V DC 3-conductor
when applied acc. to UL specifications	- limited energy - acc. to 9.3 UL 61010; Class 2; UL 1310/1585; LPS UL 60950
Residual ripple of supply voltage	$\leq 5 \%$
Current consumption	$\leq 25 \text{ mA}$
Life expectancy ⁴⁾	> 10 million cycles 0 .. 100 % FS
Weight	~ 60 g

Note: Reverse polarity protection of the supply voltage, excess voltage, override and short circuit protection are provided.

FS (Full Scale) = relative to complete measuring range

B.F.S.L. = Best Fit Straight Line

¹⁾ -25 °C with FKM seal, -40 °C on request

²⁾ Environmental conditions acc. to 1.4.2 UL 61010-1; C22.2 No 61010-1

³⁾ With mounted mating connector in corresponding protection class

⁴⁾ Measuring range 1000 bar: > 1 million cycles (0 .. 100 % FS)

Model code:

HDA 7 4 4 6 - X - XXX - 000

Mechanical connection

4 = G1/4 A ISO 1179-2

Electrical connection

6 = male M12x1, 4 pole
(mating connector not supplied)

Output signal

A = 4 .. 20 mA, 2-conductor
B = 0 .. 10 V, 3-conductor

Measuring ranges in bar

040; 060; 100; 250; 400; 600; 1000

Modification number

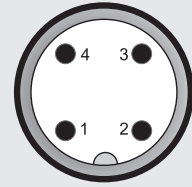
000 = standard

Accessories:

Appropriate accessories, such as mating connectors, can be found in the Accessories brochure.

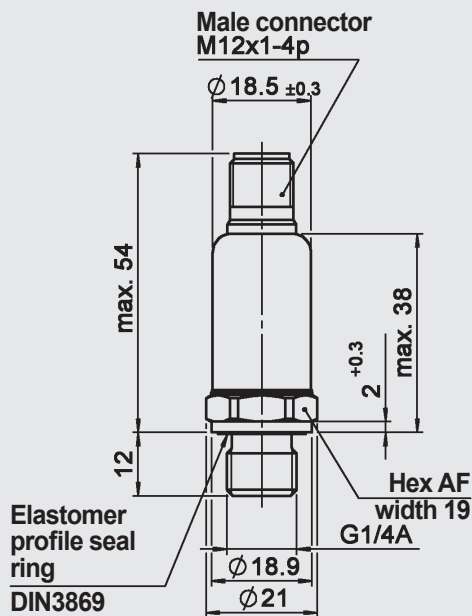
Pin connections:

M12x1



Pin	HDA 7446-A	HDA 7446-B
1	Signal +	+U _B
2	n.c.	n.c.
3	Signal -	0 V
4	n.c.	Signal

Dimensions:



Note:

The information in this brochure relates to the operating conditions and applications described.

For applications or operating conditions not described, please contact the relevant technical department.

Subject to technical modifications.

HYDAC ELECTRONIC GMBH
Hauptstr. 27, 66128 Saarbrücken
Germany
Phone +49 (0)6897 509-01
Fax +49 (0)6897 509-1726
e-mail: electronic@hydac.com
Internet: www.hydac.com