



Electronic Flow Rate Transmitter with HSI-Sensor Recognition

EVS 3100-H EVS 3110-H

Description:

The flow rate transmitters in the series EVS 3100-H and EVS 3110-H with HSI sensor recognition have been specially developed for use in conjunction with HYDAC measuring instruments HMG 500, HMG 510, HMG 3000, HMG 3010 and CMU 1000.

For data transmission, the EVS 31x0-H has an HSI interface (HYDAC Sensor Interface).

The HSI sensors are recognised automatically via the HSI interface by the above-mentioned HYDAC measuring instruments, and all the necessary basic settings are taken from each instrument.

As with all flow rate transmitters in the series EVS 3100 and EVS 3110, the EVS 31x0-H also operates according to the turbine principle. The speed of an impeller turning in the fluid flow is measured and converted into an electronic signal.

Special features:

- Fully automatic recognition by, and voltage supply from, HYDAC measuring instruments HMG 500, HMG 510, HMG 3000, HMG 3010 or CMU 1000
- Automatic transfer of measuring range, measured value and measurement unit
- Viscosities of 1 .. 100 cSt
- Additional connection of temperature and / or pressure transmitters possible

Technical data:

Input data

Measuring ranges¹⁾ and operating pressure

EVS 3108-H-0020	1.2 .. 20.0 l/min	400 bar
EVS 3118-H-0020		
EVS 3108-H-0060	6.0 .. 60.0 l/min	400 bar
EVS 3118-H-0060		
EVS 3108-H-0300	15.0 .. 300.0 l/min	400 bar
EVS 3118-H-0300		
EVS 3108-H-0600	40.0 .. 600.0 l/min	315 bar
EVS 3118-H-0600	40.0 .. 600.0 l/min	400 bar

Additional connection options
2 x G1/4 female threads for pressure and/or temperature sensors

Output data

Output signal
HSI (HYDAC Sensor Interface)
Automatic sensor recognition

Accuracy
≤ 2 % of the actual value

Environmental conditions

Compensated temperature range
-20 .. +70 °C

Operating temperature range
-20 .. +70 °C

Storage temperature range
-40 .. +100 °C

Fluid temperature range
-20 .. +90 °C

CE mark
EN 61000-6-1 / 2 / 3 / 4

Protection class to IEC 60529
IP 67 (when an IP 67 connector is used)

Other data

Housing material
EVS 3100-H: Aluminium
EVS 3110-H: Stainless steel

Measuring medium²⁾
EVS 3100-H: Hydraulic oils
EVS 3110-H: Water-based media

Viscosity range
1 .. 100 cSt

Calibration viscosity
EVS 3100-H: 30 cSt
EVS 3110-H: 5 cSt

Voltage supply
via HYDAC measuring instruments HMG 500, HMG 510, HMG 3000, HMG 3010 or CMU 1000

Note: ¹⁾ Other measuring ranges on request

²⁾ Other fluids on request

Model code:

EVS 3 1 X 8 - H - XXXX - 000

Housing material

- 0 = Aluminium
1 = Stainless steel

Electrical connection

- 8 = Male M12x1, 5 pole
(connector not supplied)

Signal

- H = HSI (Automatic Sensor Recognition)

Measuring range

- 0020 = 1.2 .. 20 l/min
0060 = 6.0 .. 60 l/min
0300 = 15.0 .. 300 l/min
0600 = 40.0 .. 600 l/min

Modification number

- 000 = Standard

Note:

On instruments with a different modification number, please read the label or the technical amendment details supplied with the instrument.

Accessories:

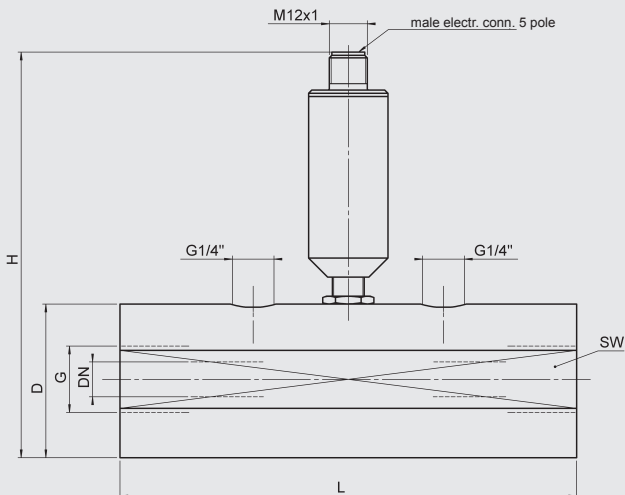
Appropriate accessories, such as electrical connectors, can be found in the Accessories brochure.

Note:

The information in this brochure relates to the operating conditions and applications described.

For applications or operating conditions not described, please contact the relevant technical department.

Subject to technical modifications.

Dimensions:

Model	Meas. range [l/min]	L [mm]	H [mm]	D / SW [mm]	G [mm]	Torque value [Nm]	DN [mm]
EVS 3108-H-0020	1.2 .. 20	117	135	47 / 46	G $\frac{1}{4}$ "	60	7
EVS 3108-H-0060	6 .. 60	144	135	48.5 / 46	G $\frac{1}{2}$ "	130	11
EVS 3108-H-0300	15 .. 300	155	150	63.5 / 60	G $\frac{1}{4}$ "	500	22
EVS 3108-H-0600	40 .. 600	181	150	63.5 / 60	G $\frac{1}{2}$ "	600	30
EVS 3118-H-0020	1.2 .. 20	117	135	47 / 46	G $\frac{1}{4}$ "	60	7
EVS 3118-H-0060	6 .. 60	144	135	48.5 / 46	G $\frac{1}{2}$ "	130	11
EVS 3118-H-0300	15 .. 300	155	150	63.5 / 60	G $\frac{1}{4}$ "	500	22
EVS 3118-H-0600	40 .. 600	181	150	63.5 / 60	G $\frac{1}{2}$ "	600	30

HYDAC ELECTRONIC GMBH

Hauptstraße 27, D-66128 Saarbrücken
Telephone +49 (0)6897 509-01
Fax +49 (0)6897 509-1726
E-mail: electronic@hydac.com
Internet: www.hydac.com

