

Linear Position Transmitter HLT 1100-R2

Magnetostrictive

For full integration

Resolution min. 0.1 mm

Analogue

Description:

The sensor works on the principle of magnetostriction.

This measuring principle determines with high accuracy the position, distance and/or speed and is based on elapsed time measurement.

Based on this non-contact and wear-free measuring system, HYDAC offers a version in a pressure-resistant stainless steel housing For full integration in hydraulic cylinders.

The different output signals (analogue) enable connection to all HYDAC ELECTRONIC GmbH measurement and control devices as well as connection to standard evaluation systems (e.g. to PLC controls).

The main fields of application are in mobile hydraulics.

Technical data:

Input data

Measuring ranges	50 .. 2500 mm
Model	Rod Ø 10 mm for cylinder full integration ¹⁾ Operating pressure: ≤ 450 bar Peak pressure acc. to DIN EN ISO 19879: 630 bar
Material	Rod: Stainless steel 1.4571 Housing: Stainless steel 1.4301
Seal	O-ring: NBR Backup ring: PTFE

Output data

Output signal, permitted load resistance	Current: 4 .. 20 mA or 20 .. 4 mA, Load resist.: 200 .. 500 Ω Voltage: 0 .. 10 V or 10 .. 0 V 0.25 .. 4.75 V or 4.75 .. 0.25 V 0.5 .. 9.5 V 0.5 .. 4.5 V Load resist.: min. 2 kΩ
--	--

Resolution	12 bit, min. 0.1 mm
Non-linearity	≤ ± 0.05 % FS
Hysteresis	≤ ± 0.1 % FS
Repeatability	≤ ± 0.1 % FS
Temperature coefficient	≤ ± 0.01 % FS / °C
Sampling rate	2 ms

Environmental conditions

Operating temperature range	-40 .. +85 °C
Storage temperature range	-40 .. +100 °C
Fluid temperature range	-40 .. +120 °C
CE mark	EN 61000-6-1 / 2 / 3 / 4

Vibration resistance acc. to DIN EN 60068-2-6 at 10 .. 500 Hz at 5 kHz	≤ 20 g ≤ 15 g
--	------------------

Shock resistance acc. to DIN EN 60068-2-27 (11 ms)	≤ 50 g
---	--------

Protection class acc. to DIN EN 60529	IP 67 (cable outlet) IP 6K9K ²⁾ (separate male flange connector M12x1)
---------------------------------------	--

Installation position	No restrictions
-----------------------	-----------------

Other data

Supply voltage	9 .. 36 V DC
Residual ripple of supply voltage	≤ 250 mV _{pp}
Current consumption without output	< 100 mA
Weight	Depending on length: 100 mm (with 1 m cable): ~310 g 2500 mm (with 1 m cable): ~1030 g

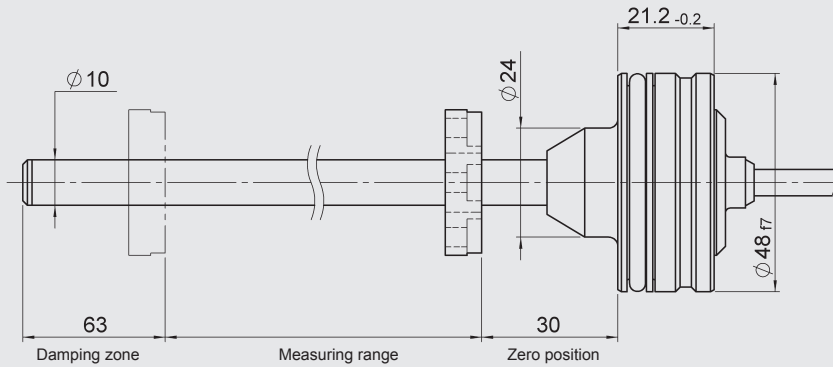
Note: Reverse polarity protection of the supply voltage, overvoltage, and short circuit protection are provided.

FS (Full Scale) = relative to complete measuring range

¹⁾ Other variants available on request.

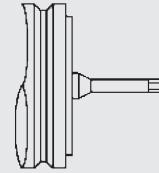
²⁾ With mounted mating connector in corresponding protection class

Dimensions:



Pin connections:

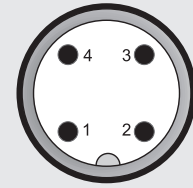
Cable outlet



Lead

brown	+U _B
white	0 V
green	Signal

M12x1, 4 pole



Pin	Mod. 000	Mod. 003	Mod. 004
1	+U _B	+U _B	n.c.
2	n.c.	Signal	+U _B
3	0 V	0 V	0 V
4	Signal	n.c.	Signal

Model code:

HLT 1 1 0 0 - R2 - XXX - XXX - XXXX - 000

Design / geometry type

1 = rod

Model

R2 = rod for cylinder full integration

Electrical connection

Cable output

K01 = jacketed cable, length 1 m
 K02 = jacketed cable, length 2 m
 K05 = jacketed cable, length 5 m
 K10 = jacketed cable, length 10 m

Separate male flange connector M12x1, 4 pole

L06 = 60 mm lead length
 L18 = 180 mm lead length
 L24 = 240 mm lead length

Output signal

C01 = analogue 4 .. 20 mA, 3-conductor
 C02 = analogue 20 .. 4 mA, 3-conductor
 B01 = analogue 0 .. 10 V
 B02 = analogue 10 .. 0 V
 G01 = analogue 0.25 .. 4.75 V
 G02 = analogue 4.75 .. 0.25 V
 G03 = analogue 0.5 .. 9.5 V
 G04 = analogue 0.5 .. 4.5 V

Measuring range in mm (50 .. 2500 mm)

Example

0150 = 150 mm

Modification

000 = standard
 003 = modified pin assignment
 004 = modified pin assignment

Accessories available: (not supplied with instrument)

ZBL MR17.4	position magnet	part no.: 6119372
ZBL MR22	position magnet	part no.: 6084453
ZBL MR33	position magnet	part no.: 6084207

More detailed information on accessories as well as on further accessories, such as mating connectors, can be found in the Accessories brochure.

Note:

The information in this brochure relates to the operating conditions and applications described.

For applications or operating conditions not described, please contact the relevant technical department.

Subject to technical modifications.

HYDAC ELECTRONIC GMBH
 Hauptstr. 27, 66128 Saarbrücken
 Germany
 Telephone +49 (0)6897 509-01
 Fax +49 (0)6897 509-1726
 e-mail: electronic@hydac.com
 Internet: www.hydac.com