

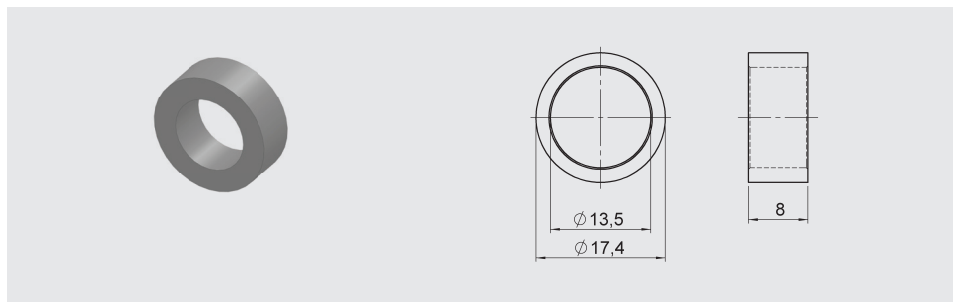
Accessories Sensors for Distance and Position

ZBL MR17

Position magnet for HLT 1000 and HLT 2100

Part No.: 6119372

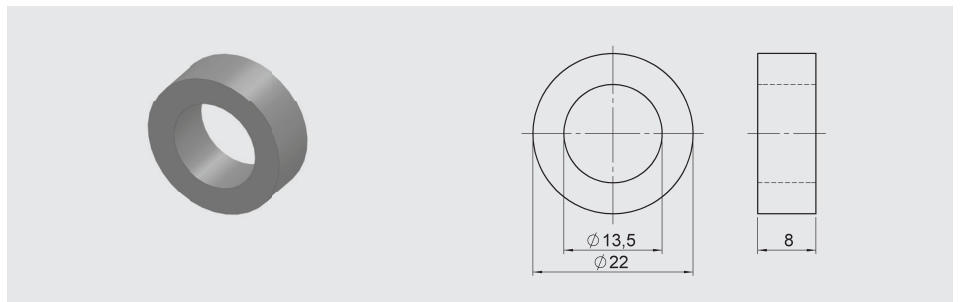
Magnets for HLT 1000, HLT 2000, HNT 1000



ZBL MR22

Position magnet for HLT 1000 and HLT 2100

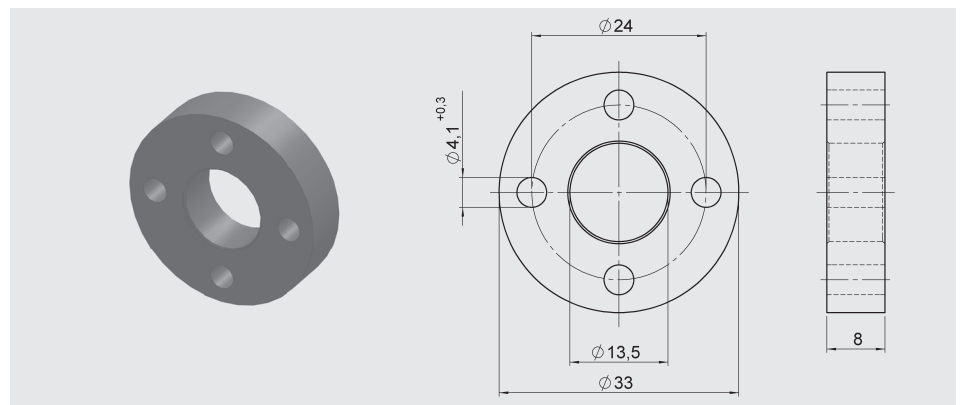
Part No.: 6084453



ZBL MR33

Position magnet for HLT 1000 and HLT 2100

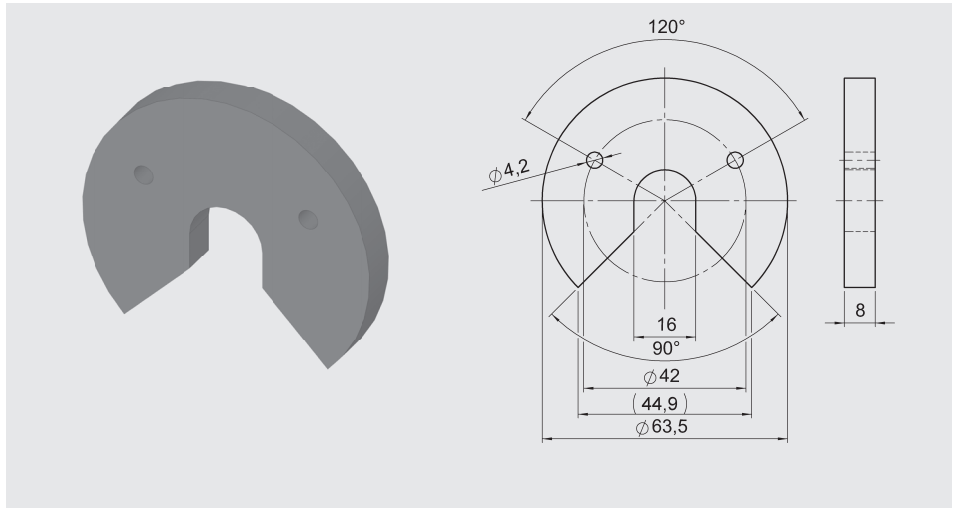
Part No.: 6084207



ZBL MV63

Position magnet for
HLT 1000, HLT 2100 and
HLT 2500-L2

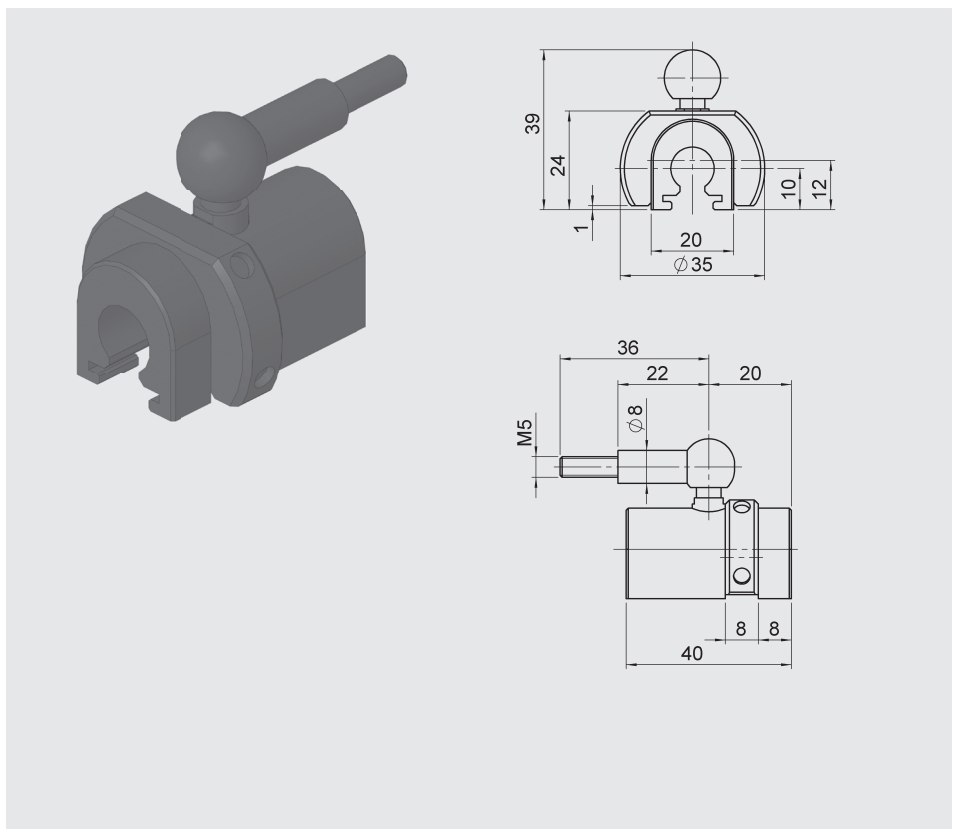
Part No.: 6084454



ZBL MS35-39

Measuring slide for
HLT 2500-L2

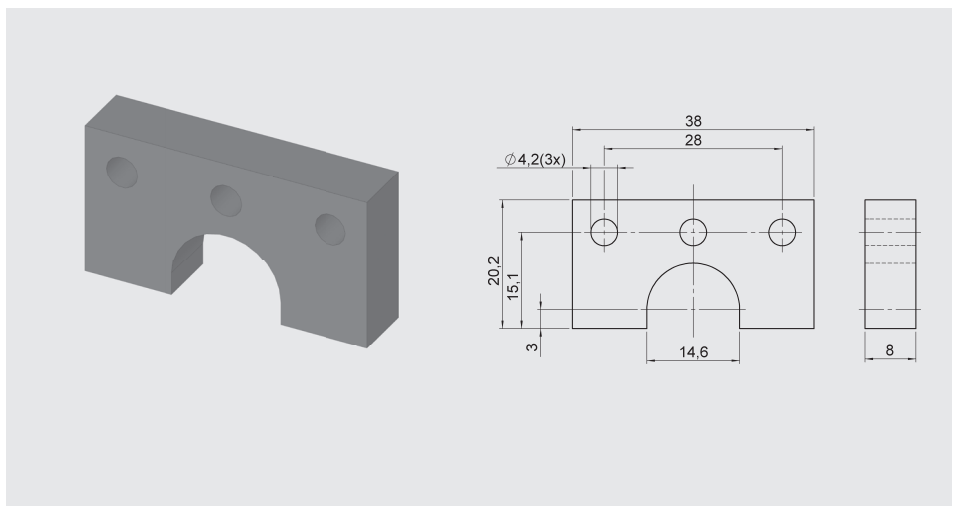
Part No.: 6105654



ZBL MU38-20

Position magnet for
HLT 1000, HLT 2100 and
HLT 2500-L2

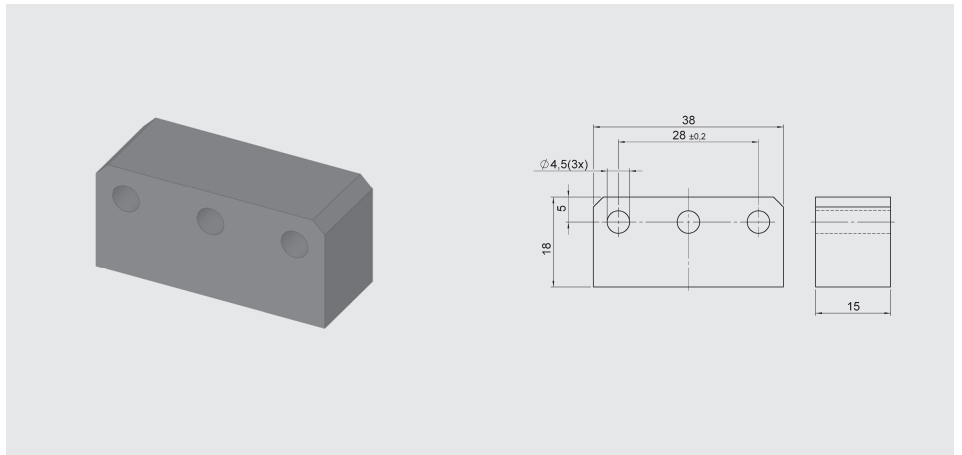
Part No.: 6084455



ZBL MF38-18

Position magnet for
HLT 2500-F1

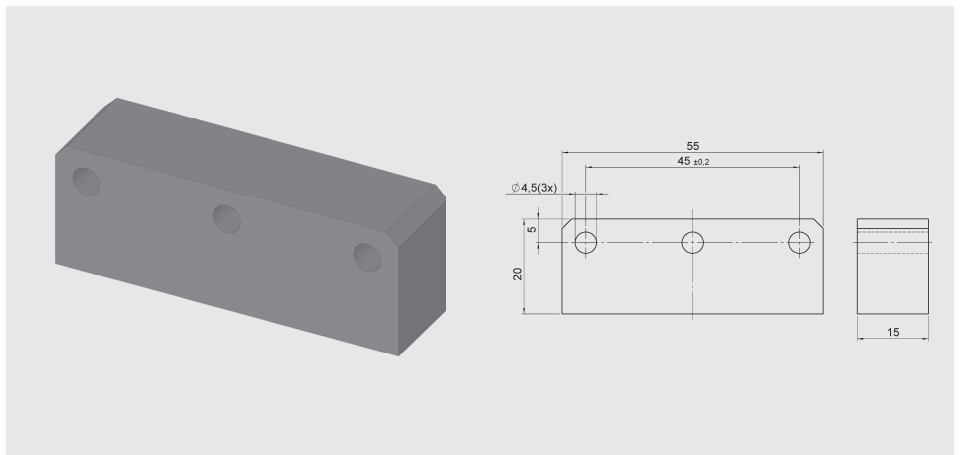
Part No.: 6084456



ZBL MF55-20

Position magnet for
HLT 2500-F1

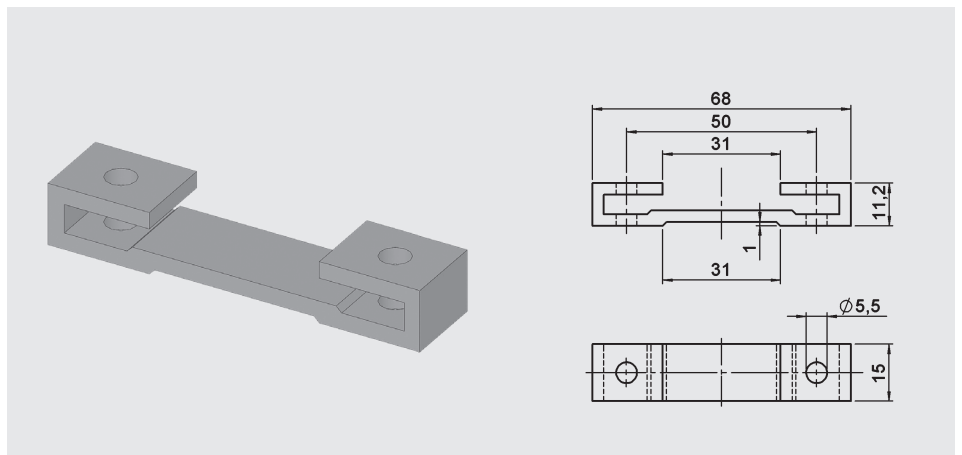
Part No.: 6084457



ZBL Mounting set

Mounting set for HLT 2500

Part No.: 6105653



Electrical accessories HLT 2000

Electrical connection	Signal output	HYDAC description	Part number
M06	Analogue	Cable connector C091, 6 pole, straight	654653
M08	Analogue	Cable connector C091, 8 pole, straight	6123255
C61	CAN / DVN	ZBE 08 cable connector M12x1, 5 pole, right-angle	6006786
S01	SSI	Cable connector M23, 12 pole, straight	6120462
S01	SSI	Cable connector M23, 12 pole, right-angle	6120463

Note:

The information in this brochure relates to the operating conditions and applications described. For applications and operating conditions not described, please contact the relevant technical department. Subject to technical modifications.

HYDAC ELECTRONIC GMBH
Hauptstraße 27, D-66128 Saarbrücken
Telephone +49 (0)6897 509-01
Fax +49 (0)6897 509-1726
E-mail: electronic@hydac.com
Internet: www.hydac.com